

# HAKKO 635

IRON HOLDER

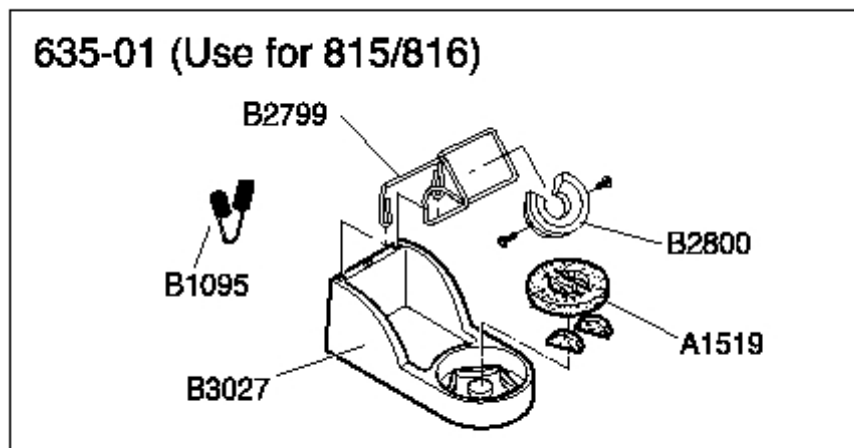
## 635-01

### INSTRUCTION MANUAL

●  
Thank you for purchasing the 634-04 Iron holder.  
Please read this manual before using the 635-01.  
●

**CAUTION** The holder for iron receptacle and iron receptacle will become extremely hot. Do not touch them.

English 中文 日本文



- \* Insert the holder for iron receptacle securely into the iron holder base.
- \* Confirm that the screw is tightened securely.

**NOTE:**

The sponge is compressed. It will swell when moistened with water. Before using the unit, dampen the sponge with water and squeeze it dry. Using a dry sponge will damage the soldering tip.

**Optional/Replacement parts:**

Part number	Part name	Specification
A1519	Cleaning sponge	
B1095	Cleaning pin holder	
B2799	Holder for iron receptacle	
B2800	Iron receptacle	with screw
B3027	Iron holder base	with rubber feet

